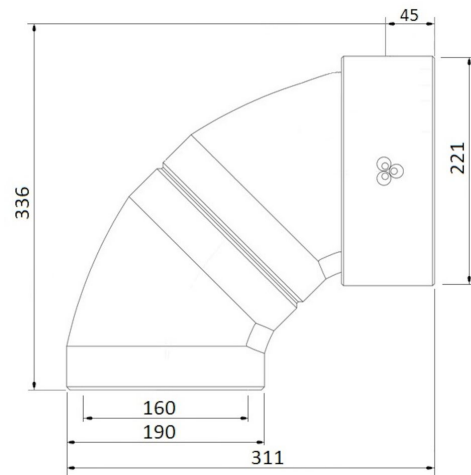


General information

Elbow EPP 160 90°



Specifications

| | |
|---------------------|----------------|
| Article number | 400480494 |
| Product category | Insulated tube |
| Material | EPP |
| Colour | Gray |
| Wall Thickness (mm) | 15 |
| Weight (kg) | 0,17 |

Dimensions

| | |
|---------------------------|-----------------|
| Diameter inside (mm) | 160 |
| Diameter outside (mm) | 190 |
| Dimensions (l x w x h mm) | 336 x 221 x 311 |

Application Insights

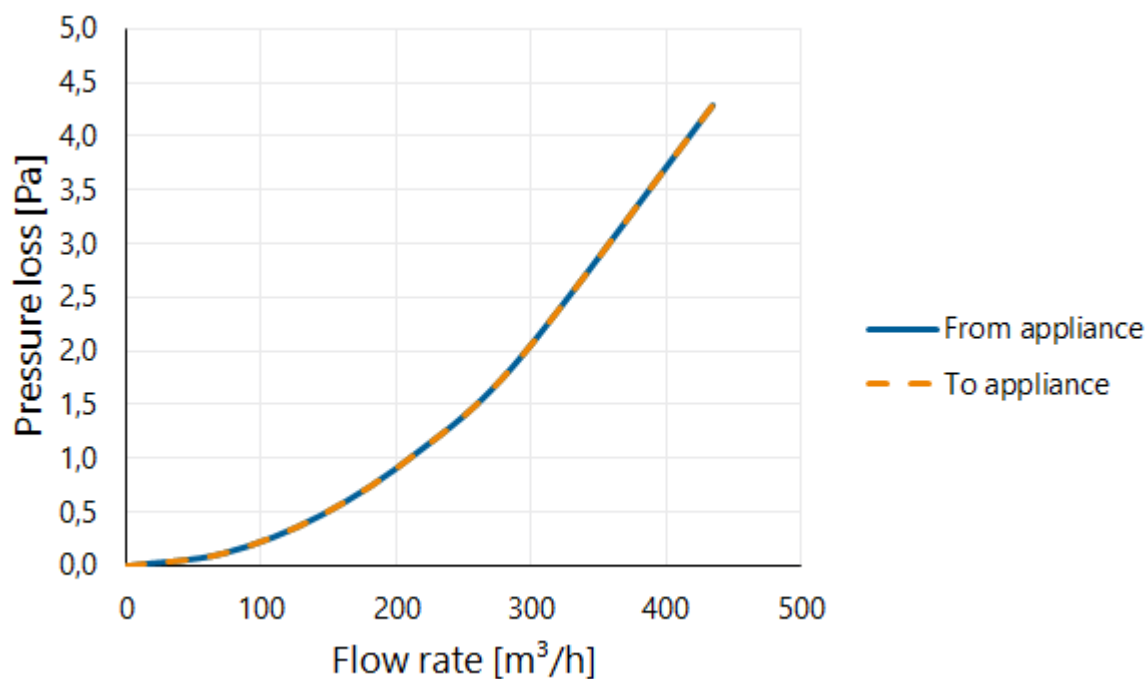
| | |
|------------------------|----------------|
| Application | Ventilation |
| Supply / Extract | Supply/Extract |
| Temperature range (°C) | -25 / +80 |

Technical Specifications

| | |
|--------------------------------------|-------|
| Maximum air flow (m ³ /h) | 425 |
| ζ extract | 0,20 |
| ζ supply | 0,20 |
| Air tightness class (ATC) | 3 |
| Thermal resistance (W/mK) | 0,037 |
| R-value (m ² K/W) | 0,41 |
| Fire rating EN 13501-1 | E |
| Other specifications | - |

Graph

Pressure loss



Table

Flow velocity pressure table

| Flow rate | | | Static pressure loss | |
|-----------|--------|-------|------------------------|----------------------|
| [m/s] | [m³/h] | [l/s] | From appliance [Pa] | To appliance [Pa] |
| 0 | 0 | 0 | 0,0 | 0,0 |
| 1 | 72 | 20 | 0,1 | 0,1 |
| 2 | 145 | 40 | 0,5 | 0,5 |
| 3 | 217 | 60 | 1,1 | 1,1 |
| 4 | 290 | 80 | 1,9 | 1,9 |
| 6 | 434 | 121 | 4,3 | 4,3 |